

# MRV HOT WATER Hydro Box

**115** Features

**118** Hydro Box

# MRV HOT WATER Hydro Box

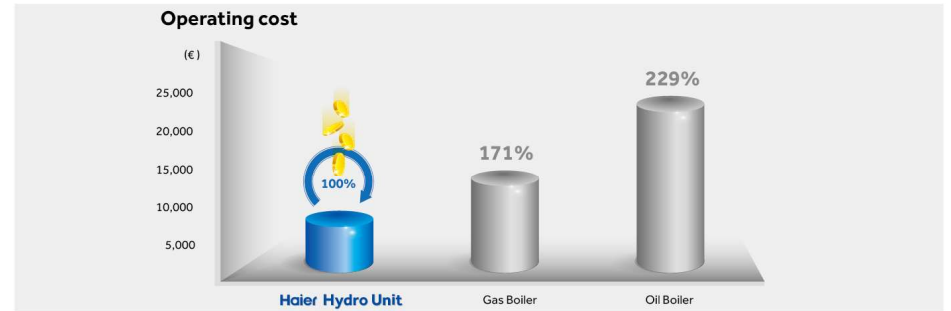


Haier hydro unit makes it possible using VRF system to provide users with comfortable air conditioner, hot water heating and domestic hot water. This solution is suitable for both residential area and commercial area, such as residences, office buildings, hotels, hospitals, etc.



## LOW OPERATING COST

By using free renewable energy from the outside air as heat source, it is more energy efficient and environmental than oil and gas boilers. The operating cost is low by high efficiency heat pump and heat recovery technology.



## COMFORT

The hydro unit has a heating capacity of up to 28 kW per module which can be used in combination for bigger system demand. And leaving water temperature range from 5°C to 55°C provides comfort air to users. Connectable to MRV 5, MRV 5-H, MRV 5-RC and MRV SII

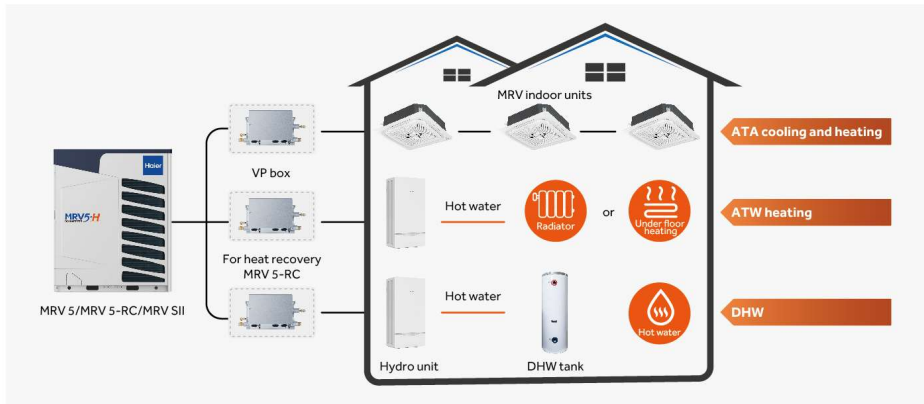


# MAIN OPERATION PATTERNS

Multiple heating and cooling solutions can be selected to provide

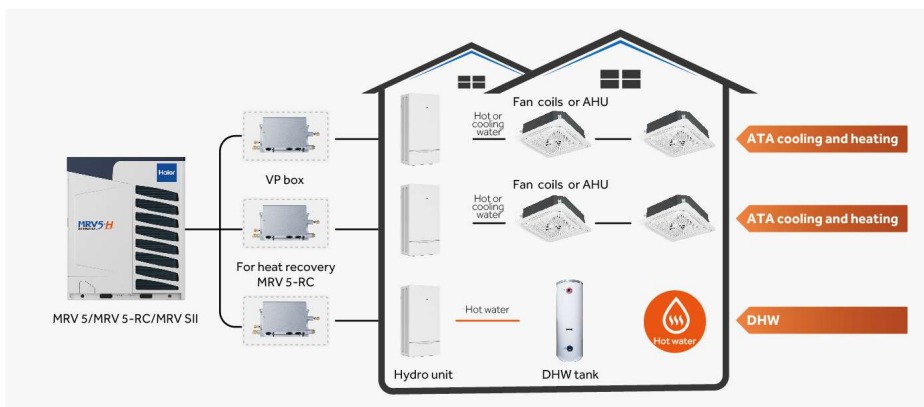
## 1. ATA and ATW

- In summer, ATA cooling and DHW can be used. The heat pump outdoor and hydro unit can provide hot water to heat up water stored in the DHW tank when the MRV indoor units cooling is not operated. The heat recovery outdoor can realize ATA indoor units cooling and hydro unit hot water supply at the same time.
- In winter, ATA heating or hot water heating can be selected to warm the rooms, while the DHW is heated up at the same time.



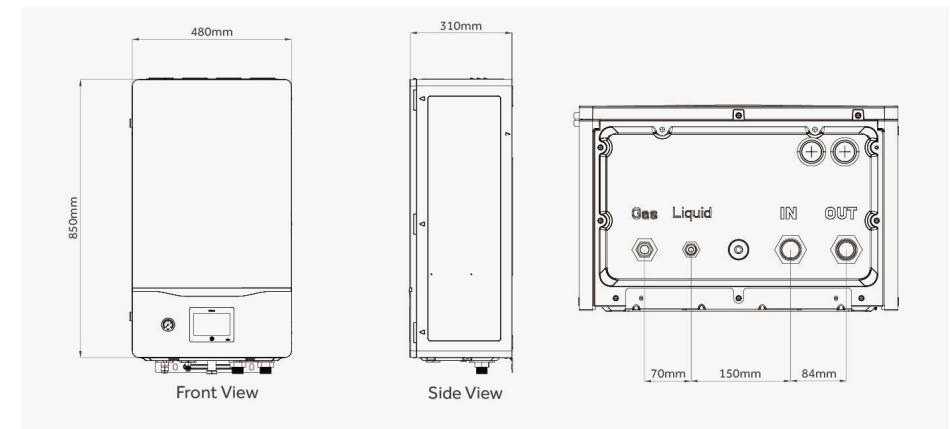
## 2. Only ATW

- In summer, the heat pump outdoor and hydro unit can provide hot water to heat up water stored in the DHW tank when the fan coils or AHU cooling is not operated. The heat recovery outdoor and hydro unit can provide hot water when the fan coils or AHU cooling is operating.
- In winter, fan coils provide heating to warm the rooms, while the DHW is heated up at the same time.



Model/Indoor unit			HU092WVLNA	HU162WVLNA	HU312WVLNA
Nominal Capacity	Cooling (1)	kW	7	14	28
	Heating (2)	kW	9	16	31
Dimensions Unit	H/W / D	mm	850/ 480 / 310	850/ 480 / 310	850/ 480 / 310
Weight Unit		Kg	56	56	52
Installation Place			Indoor	Indoor	Indoor
Combination Ratio	Only hydro module	%	50-100%	50-100%	50-100%
	Hydro box+IDUs	%	50-130%(Hydro box 0-80%)	50-130%(Hydro box 0-80%)	50-130%
Cooling Ambient	Min. - Max.	°CDB	10-43	10-43	10-43
Cooling Water Side	Min. - Max.	°C	5-20	5-20	5-20
Heating Ambient	Min. - Max.	°C	-20-24	-20-24	-20-24
Water Side	Min. - Max.	°C	20-50	20-50	20-50
Sound Pressure Level	Cooling/Heating	dB(A)	29/ 32	29/32	29/32
Sound Power Level		dB(A)	42	46	48
Water Flow Rate	Min-Standard	L/min	18/26	32/46	63/90
Water Circuit Piping Diameter	Inlet	inch *	1	1	1-1/4
	Outlet	inch *	1	1	1-1/4
Refrigerant Type			R410A	R410A	R410A
Gas Side - Connection Type		mm	15.88	15.88	19.05
Liquid Side - Connection Type		mm	9.52	9.52	9.52
Power Supply		Ph/Hz/V	1/ 50/ 220-240	1/ 50/ 220-240	1/ 50/ 220-240
Odu Compatibility			MRV 5, MRV 5-RC, MRV 5-H, MRV S 8-10-12HP		

(1) Tamb 35°C - LWE 18°C (DT=5°C)  
 (2) DB/WB 7°C/6°C - LWC 35°C (DT=5°C)



MRV HOT WATER Hydro Box